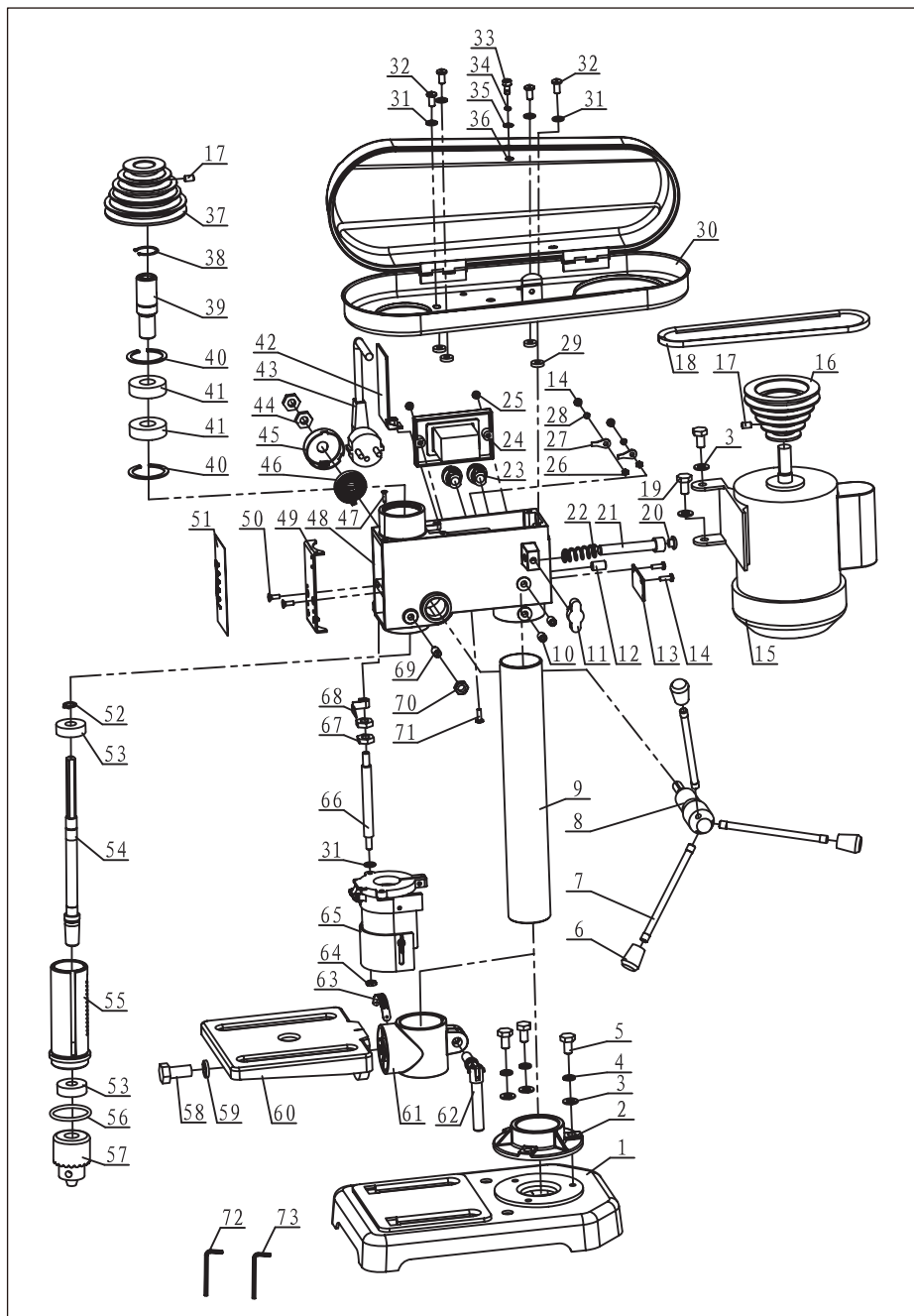


EXPLOSIVE VIEW OF WD030520013



PART LIST OF WD030520013

NO	DESCRIPTION	Q'TY	NO	DESCRIPTION	Q'TY
1	Base	1	38	Circlip	1
2	Base collar	1	39	Bush	1
3	Washer	5	40	Circlip	2
4	Spring washer	3	41	Bearing	2
5	Bolt	3	42	Baffle	1
6	Knob of feed handle	3	43	Cable and plug	1
7	Feed handle	3	44	Nut	2
8	Pinion shaft	1	45	Spring housing	1
9	Column	1	46	Disk spring	1
10	Socket head screw	2	47	Screw	1
11	Locking knob of belt tension	1	48	Box	1
12	Round pin	1	49	Faceplate	1
13	Plate	1	50	Screw	2
14	Screw	4	51	Nameplate	1
15	Motor unit	1	52	Circlip	1
16	Pulley of motor	1	53	Bearing	2
17	Socket head screw	2	54	Spindle	1
18	Belt	1	55	Spindle sleeve	1
19	Bolt	2	56	O-ring	1
20	Cushion pad	1	57	Key chuck	1
21	Bolt	1	58	Bolt	1
22	Spring	1	59	Spring washer	1
23	Fairlead	2	60	Work table	1
24	Switch	1	61	Support of work table	1
25	Screw	2	62	Locking handle	1
26	Dentiform washer	2	63	Angle label	1
27	Grounding connection	2	64	Nut	1
28	Spring washer	2	65	Eye-protective device	1
29	Anti-vibration pad	4	66	Depth stop	1
30	Pulley cover	1	67	Nut	2
31	Washer	5	68	Pointer	1
32	Screw	4	69	Screw	1
33	Screw	1	70	Nut	1
34	Spring	1	71	Screw	1
35	Washer	1	72	Allen key	1
36	Circlip	1	73	Allen key	1
37	Pulley of spindle	1			