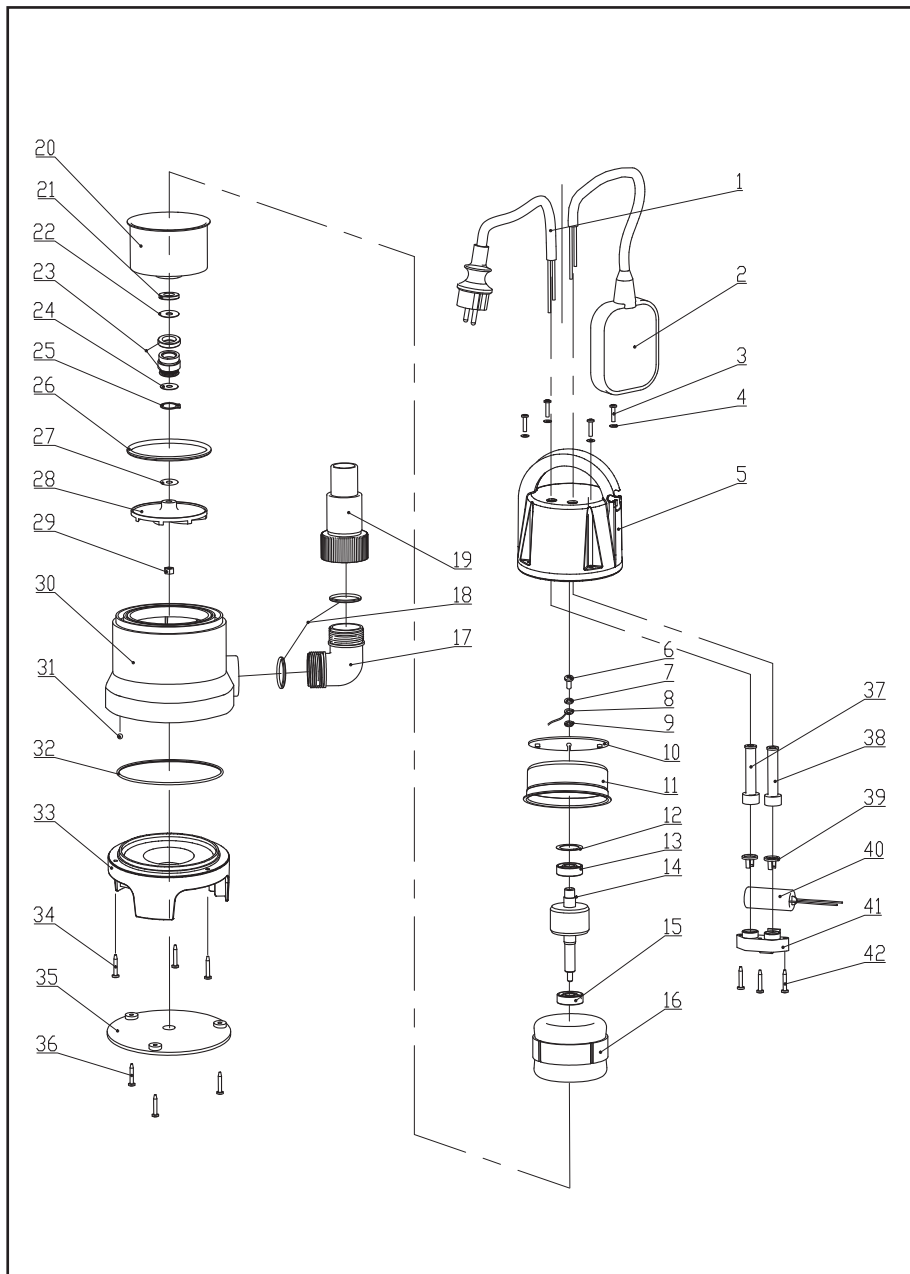


400W/750W/1500W SEWAGE SUBMERSIBLE PUMP

ENG

EXPLOSIVE VIEW OF WD020520400 AND WD020540750



PART LIST OF WD020520400 AND WD020540750

NO	DESCRIPTION	Q'TY	NO	DESCRIPTION	Q'TY
1	Cable and plug	1	22	Washer	1
2	Float switch	1	23	Mechanical seal	1
3	Screw	4	24	Washer	1
4	Washer	4	25	Circlip	1
5	Upper pump housing	1	26	O-ring	1
6	Screw	1	27	Washer	1
7	Spring washer	1	28	Impeller	1
8	Ground wire	1	29	Nut	1
9	Serrated washer	1	30	Pump housing	1
10	Insulation washer	1	31	Steel ball	1
11	Under motor cover	1	32	O-ring	1
12	Wave washer	1	33	Pump base	1
13	Bearing	1	34	Screw	3
14	Rotor	1	35	Base plate	1
15	Bearing	1	36	Screw	3
16	Stator	1	37	Cable protector	1
17	Angle connector	2	38	Cable protector	1
18	O-ring	1	39	Cable retainer	2
19	Output connector	1	40	Capacitor	1
20	Upper motor cover	1	41	Cable holder	1
21	Skeleton seal	1	42	Screw	3