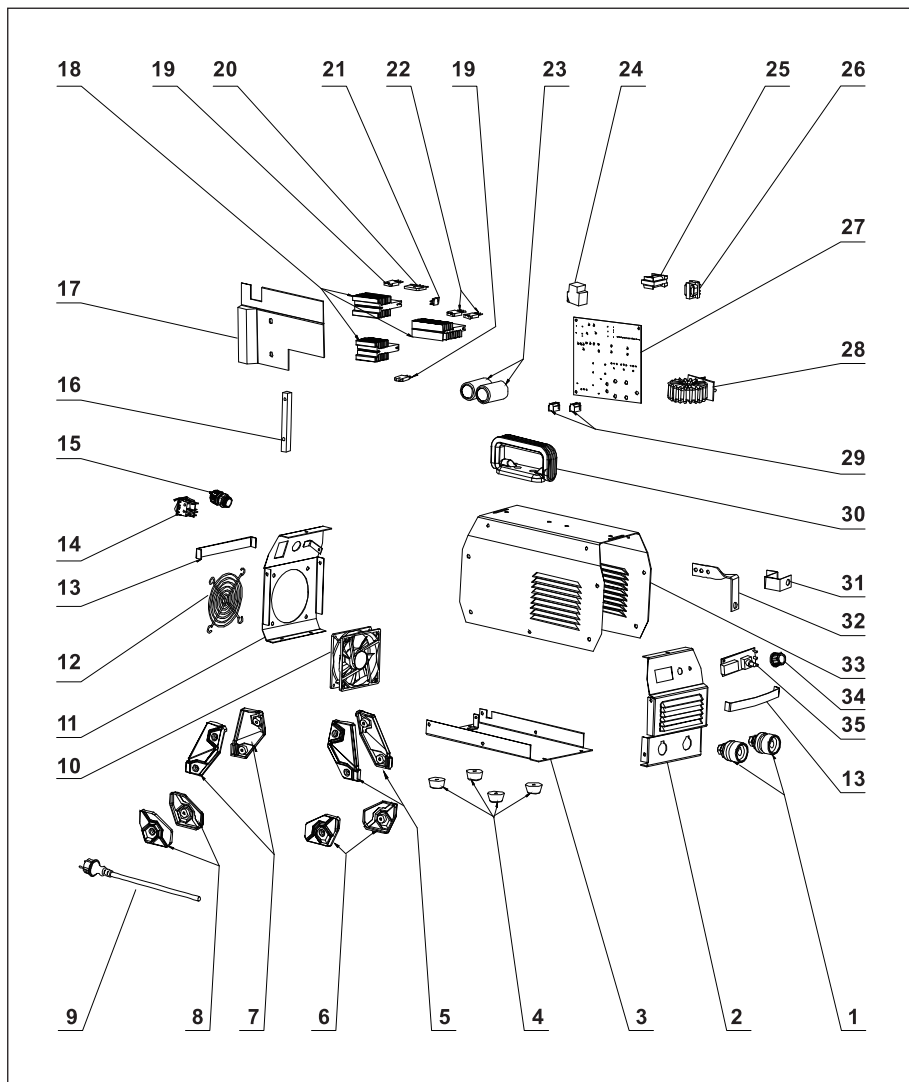


EXPLOSIVE VIEW OF WD060122016



PART LIST OF WD060122016

NO	DESCRIPTION	Q'TY	NO	DESCRIPTION	Q'TY
1	Quick connector	2	19	IGBT single tube	2
2	Face plate	1	20	Bridge rectifiers	1
3	Base plate	1	21	Temperature protector	1
4	Foot pad	4	22	Fast recovery diode	2
5	Corner protector	2	23	Capacitor	2
6	Corner protector	2	24	Relay	1
7	Corner protector	2	25	Transformer	1
8	Corner protector	2	26	Transformer	1
9	Cable and plug	1	27	PCB	1
10	Fan	1	28	Transformer	1
11	Rear plate	1	29	Supporting bracket	2
12	Fan protector	1	30	Handle	1
13	Supporting frame	2	31	Current-carrying plate	1
14	Power switch	1	32	Current-carrying plate	1
15	Cable gland	1	33	Housing	1
16	Supporting bar	1	34	Current selector knob	1
17	Air deflector	1	35	Digital display instrument	1
18	Radiator	3			