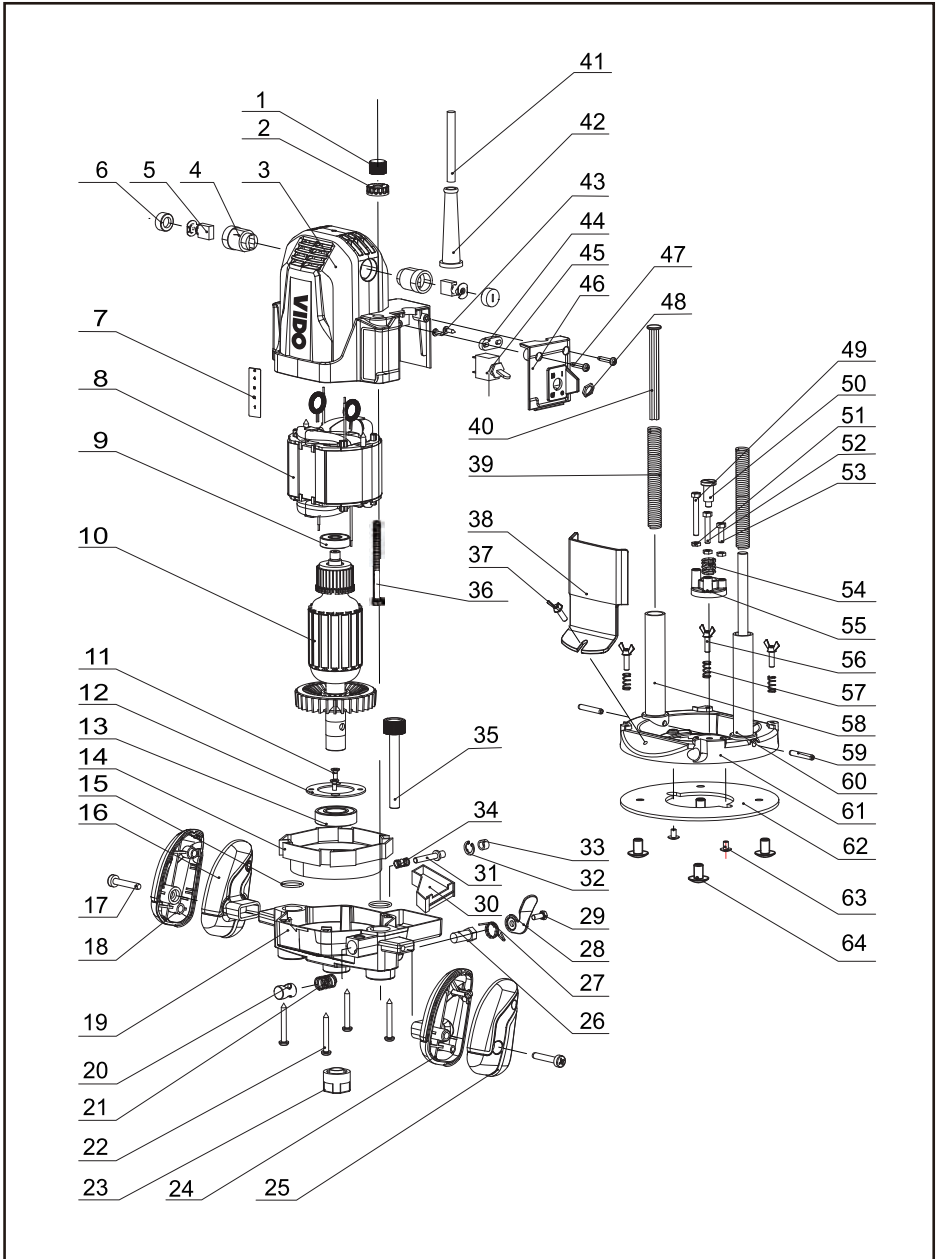


EXPLOSIVE VIEW OF WD011921850



PART LIST OF WD011921850

NO	DESCRIPTION	Q'TY	NO	DESCRIPTION	Q'TY
1	Nut	1	33	Spindle lock button	1
2	Adjusting nut	1	34	Spring	1
3	Motor housing	1	35	Depth stop	1
4	Brush holder	2	36	Screw	2
5	Carbon brush	2	37	Wing screw	1
6	Brush holder cap	2	38	Transparent protection	1
7	Scale	1	39	Spring	2
8	Stator	1	40	Stand bar	1
9	Bearing 6200RS	1	41	Cable and plug	1
10	Rotor	1	42	Cable protector	1
11	Screw	2	43	Screw	2
12	Press plate	1	44	Cable clamp	1
13	Bearing 6004RS	1	45	Switch	1
14	Fan baffle	1	46	Switch box cover	1
15	O-ring	2	47	Screw	2
16	Left handle	1	48	Nut	1
17	Screw	2	49	Bolt	1
18	Left handle cover	1	50	Screw	1
19	Support	1	51	Nut	3
20	Lock button for depth stop	1	52	Bolt	1
21	Spring	1	53	Bolt	1
22	Screw	4	54	Spring	1
23	Collet nut	1	55	Positioning turntable	1
24	Right handle	1	56	Wing screw	3
25	Right handle cover	1	57	Spring	3
26	Screw	1	58	Slide sleeve	1
27	Torsional spring	1	59	Elastic cylindrical pin	2
28	Plunge lock level	1	60	Sleeve component	1
29	Bolt	1	61	Base	1
30	Bracket separator	1	62	Base plate	1
31	Spindle lock	1	63	Screw	2
32	Circlip	1	64	Screw	4